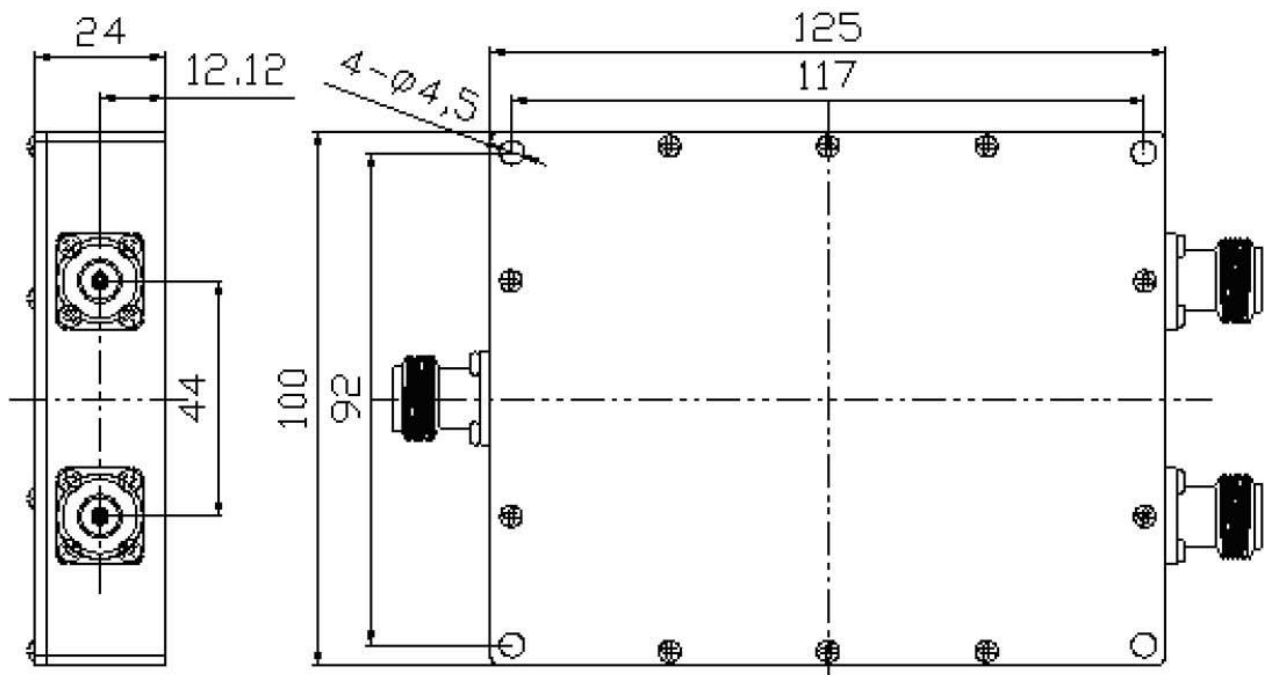


tic-tech PS2N-CS0855/P50 is a compact WideBand Power Divider designed to offer an optimal performance for 2 way equal split distribution in both the VHF & Tetra band covering 80MHz to 550MHz. It yields an excellent SWR with minimal insertion loss making it ideal for in-building installation.



Model	PS2N-CS0855/P50
Type	2 way divide
Frequency	80-550MHz
VSWR for full bandwidth	< 1.3:1
Insertion Loss	< 0.7dB
Isolation	> 20dB
Impedance	50 ohms
Input Power	50 Watt
Operating Temperature	-30°C ~ +60°C
Connector	N Female
Dimension (Overall)	125 x 100 x 24mm
Weight	Approx. 0.30 KG